

# Uni-9 Series

PC-BASED  
SMART SCALE  
SOLUTION

HEAT AND CONTROL

ISHIDA

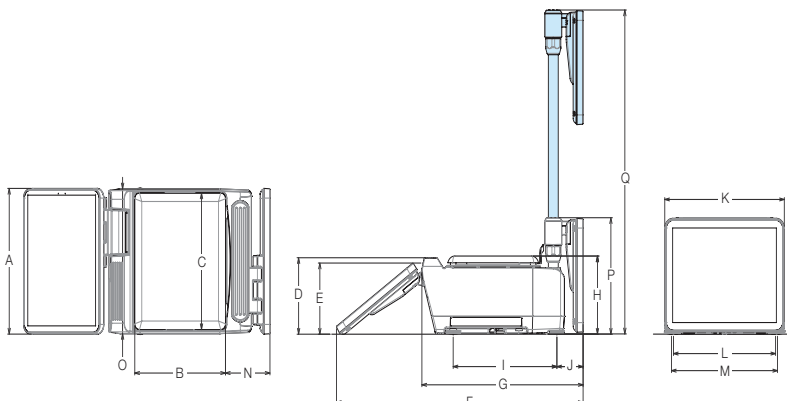


# Feast your eyes on the Uni-9 Series

The Uni-9 Series delivers the gourmet experience in retail weighing technology through a large, vivid display and advanced communication all in a more compact design.

Retailers will appreciate the Uni-9's compact design that fits nicely on virtually any size counter. Occupying a very small footprint this PC-based touchscreen scale is available with a 7 or 12-inch (17.78cm or 30.48cm) LED backlit customer display for stunning promotional images and videos.

- Crystal-sharp LED display provide more marketing capabilities such as video with sound and product pairing
- Store intranet access through a browser, recipe lookup, order entry and training videos reduce the need for additional PCs in all departments
- Automatically detects correct label format settings, eliminating setup time when changing product
- When connected to cash draw and scanner, the Uni-9 becomes an efficient checkout system



DIMENSIONS SHORT POLE		POLE
<b>A</b> 302mm	<b>I</b> 262mm	<b>Q</b> 671.5mm
<b>B</b> 229mm	<b>J</b> 47mm	
<b>C</b> 283mm	<b>K</b> 302mm	
<b>D</b> 158.5mm	<b>L</b> 268mm	
<b>E</b> 147.5mm	<b>M</b> 258mm	
<b>F</b> 623mm	<b>N</b> 112.5mm	
<b>G</b> 407mm	<b>O</b> 300mm	
<b>H</b> 162mm	<b>P</b> 241.5mm	

DIMENSIONS BENCH		
<b>A</b> 302mm	<b>E</b> 147.5mm	<b>I</b> 166mm
<b>B</b> 229mm	<b>F</b> 516mm	<b>J</b> 55mm
<b>C</b> 283mm	<b>G</b> 300mm	<b>K</b> 300mm
<b>D</b> 158.5mm	<b>H</b> 162mm	<b>L</b> 268mm

DIMENSIONS ELEVATED KEYBOARD		
<b>A</b> 300mm	<b>H</b> 162mm	<b>M</b> 258mm
<b>B</b> 229mm	<b>I</b> 262mm	<b>N</b> 150mm
<b>D</b> 158.5mm	<b>J</b> 47mm	<b>P</b> 671.5mm
<b>E</b> 147.5mm	<b>K</b> 302mm	<b>Q</b> Customer Display
<b>F</b> 408mm	<b>L</b> 268mm	

## Standard Features

- NMI approved for trade use in Australia and is C-Tick / RoHS compliant
- Removable front loading label cassette for rapid roll replacement
- High resolution movie playing display to promote products or up sell / cross sell
- Helpful on-screen operator prompts
- Internet browser allows store supervisors to enter orders from the scale, recipe lookup and more
- Remote diagnostics and support
- Graphics printing on labels and receipts
- Unique top seller assigned presets
- Powerful receipt printing (POS mode) with floating operators and customer account management capability
- Multiple configurations to suit your store's needs, including:  
*Bench, Pole, Elevated, Hanging, Remote Scale, Self-service, Bakery*

## Options and Accessories

- Liner-less label printing
- Wireless communication 802.11 b/g
- SLP-5 scale management software, includes label design, data backup, remote diagnostics
- Link to barcode scanner and/or cash draw
- Link to many popular back office POS management systems

## Specifications

- Capacity:** 6kg/2g, 15kg/5g (dual range)
- Display:** Operator side 12" (800 x 600) colour touch panel.  
Customer side 7" (800 x 480) or 12" (800 x 600)
- Print Head:** Direct thermal 80mm
- Label Size:** Width 30 - 80mm Length 20 - 200mm
- Print Speed:** 80 / 100 / 120 / 150 mm/sec
- Barcodes:** EAN/UPC 8/12/13, ITF, GS1, QR Code, Databar/Limited/Expanded, CODE128, EAN128
- Communication:** Static TCP/IP 1G Base T Ethernet (auto-duplex). Wireless WEP/WPA/WPA2. USB 4 channels, SD 1 channel, Draw 1 channel
- Operating Environment:** 5 to 35 degrees C, 20 to 85% humidity
- Power Supply:** AC100-240v, 50/60Hz
- Power Consumption:** Stand-by 70W, In Operation 140W
- Warranty:** One-year limited warranty



Heat and Control Pty Ltd  
407 Creek Road • Mount Gravatt, Qld 4122 • AUSTRALIA  
Tel: +61 7 3877 6333 • Fax: +61 7 3343 8371  
icsales@heatandcontrol.com.au • www.heatandcontrol.com